

# 16-Bit, 10 $\mu$ s Sampling, CMOS ANALOG-to-DIGITAL CONVERTER

## FEATURES

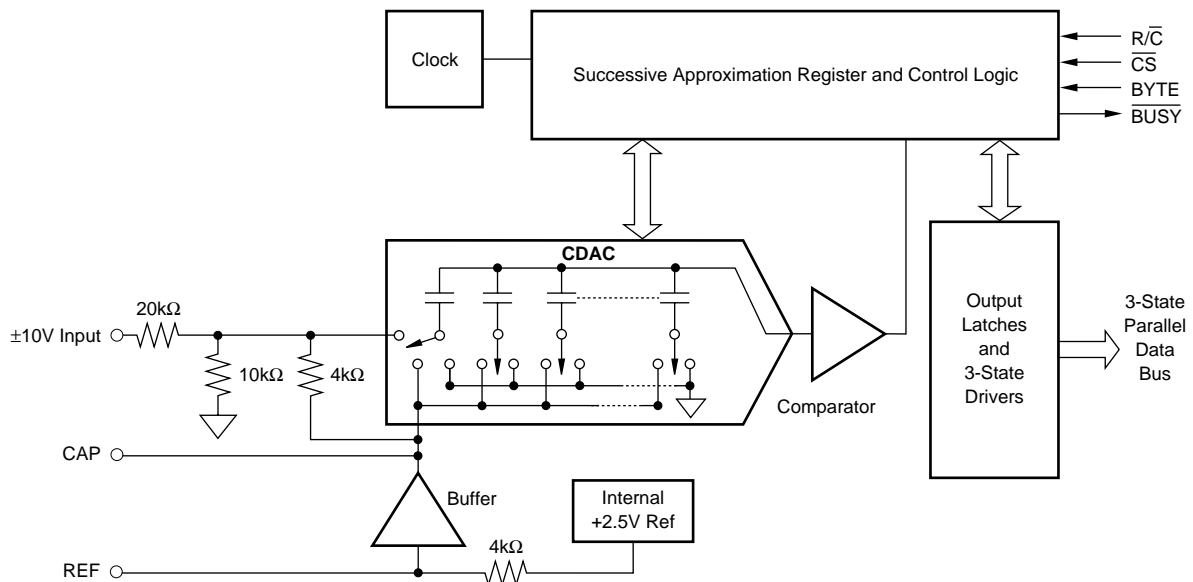
- 100kHz min SAMPLING RATE
- STANDARD  $\pm 10$ V INPUT RANGE
- 86dB min SINAD WITH 20kHz INPUT
- $\pm 3.0$  LSB max INL
- DNL: 16 Bits No Missing Codes
- SINGLE +5V SUPPLY OPERATION
- PIN-COMPATIBLE WITH 12-BIT ADS7804
- USES INTERNAL OR EXTERNAL REFERENCE
- FULL PARALLEL DATA OUTPUT
- 100mW max POWER DISSIPATION
- 0.3" DIP-28 AND SO-28

## DESCRIPTION

The ADS7805 is a complete 16-bit sampling, Analog-to-Digital (A/D) converter using state-of-the-art CMOS structures. It contains a complete 16-bit, capacitor-based, Successive Approximation Register (SAR) A/D converter with Sample-and-Hold (S/H), reference, clock, interface for micro-processor use, and 3-state output drivers.

The ADS7805 is specified at a 100kHz sampling rate and ensured over the full temperature range. Laser-trimmed scaling resistors provide an industry-standard  $\pm 10$ V input range while the innovative design allows operation from a single +5V supply, with power dissipation under 100mW.

The ADS7805 is available in a 0.3" DIP-28 and an SO-28 package. Both are fully specified for operation over the industrial  $-25^{\circ}\text{C}$  to  $+85^{\circ}\text{C}$  range; however, they will function over the  $-40^{\circ}\text{C}$  to  $+85^{\circ}\text{C}$  temperature range.



Please be aware that an important notice concerning availability, standard warranty, and use in critical applications of Texas Instruments semiconductor products and disclaimers thereto appears at the end of this data sheet.

All trademarks are the property of their respective owners.

PRODUCTION DATA information is current as of publication date. Products conform to specifications per the terms of Texas Instruments standard warranty. Production processing does not necessarily include testing of all parameters.

## ABSOLUTE MAXIMUM RATINGS<sup>(1)</sup>

Analog Inputs: $V_{IN}$ .....	$\pm 25V$
REF .....	$+V_{ANA} + 0.3V$ to AGND2 – 0.3V
CAP .....	Indefinite Short to AGND2 Momentary Short to $V_{ANA}$
Ground Voltage Differences: DGND, AGND1, AGND2 .....	$\pm 0.3V$
$V_{ANA}$ .....	7V
$V_{DIG}$ to $V_{ANA}$ .....	+0.3V
$V_{DIG}$ .....	7V
Digital Inputs .....	–0.3V to $+V_{DIG} + 0.3V$
Maximum Junction Temperature .....	+165°C
Internal Power Dissipation .....	825mW
Lead Temperature (soldering, 10s) .....	+300°C

NOTE: (1) Stresses above those listed under *Absolute Maximum Ratings* may cause permanent damage to the device. Exposure to absolute maximum conditions for extended periods may affect device reliability.



## ELECTROSTATIC DISCHARGE SENSITIVITY

This integrated circuit can be damaged by ESD. Texas Instruments recommends that all integrated circuits be handled with appropriate precautions. Failure to observe proper handling and installation procedures can cause damage.

ESD damage can range from subtle performance degradation to complete device failure. Precision integrated circuits may be more susceptible to damage because very small parametric changes could cause the device not to meet its published specifications.

## PACKAGE/ORDERING INFORMATION<sup>(1)</sup>

PRODUCT	MAXIMUM LINEARITY ERROR (LSB)	MINIMUM SIGNAL-TO-(NOISE + DISTORTION) RATIO (dB)	PACKAGE-LEAD	PACKAGE DESIGNATOR	SPECIFIED TEMPERATURE RANGE	PACKAGE MARKING	ORDERING NUMBER	TRANSPORT MEDIA, QUANTITY
ADS7805P	$\pm 4$	83	DIP-28	NT	–25°C to +85°C	NT	ADS7805P	Tube, 13
ADS7805PB	$\pm 3$	86	DIP-28	NT	–25°C to +85°C	NT	ADS7805PB	Tube, 13
ADS7805U	$\pm 4$	83	SO-28	DW	–25°C to +85°C	DW	ADS7805U	Tube, 28
ADS7805U	$\pm 4$	83	SO-28	DW	–25°C to +85°C	DW	ADS7805U/1K	Tape and Reel, 1000
ADS7805UB	$\pm 3$	86	SO-28	DW	–25°C to +85°C	DW	ADS7805UB	Tube, 28
ADS7805UB	$\pm 3$	86	SO-28	DW	–25°C to +85°C	DW	ADS7805UB/1K	Tape and Reel, 1000

NOTE: (1) For the most current package and ordering information, see the Package Option Addendum at the end of this document, or see the TI website at [www.ti.com](http://www.ti.com).

## ELECTRICAL CHARACTERISTICS

$T_A = -25^\circ\text{C}$  to  $+85^\circ\text{C}$ ,  $f_S = 100\text{kHz}$ ,  $V_{DIG} = V_{ANA} = +5V$ , using internal reference, unless otherwise specified.

PARAMETER	CONDITIONS	ADS7805P, U			ADS7805PB, UB			UNITS
		MIN	TYP	MAX	MIN	TYP	MAX	
<b>RESOLUTION</b>				16			16	Bits
<b>ANALOG INPUT</b>								
Voltage Ranges			$\pm 10$			$\pm 10$		V
Impedance			23			23		k $\Omega$
Capacitance			35			35		pF
<b>THROUGHPUT SPEED</b>								
Conversion Cycle	Acquire and Convert			10			10	$\mu\text{s}$
Throughput Rate		100			100			kHz
<b>DC ACCURACY</b>								
Integral Linearity Error		15		$\pm 4$	16		$\pm 3$	LSB <sup>(1)</sup>
No Missing Codes			1.3			1.3		Bits
Transition Noise <sup>(2)</sup>								LSB
Full-Scale Error <sup>(3,4)</sup>				$\pm 0.5$			$\pm 0.25$	%
Full-Scale Error Drift				$\pm 7$		$\pm 5$		ppm/°C
Full-Scale Error <sup>(3,4)</sup>	Ext. 2.5000V Ref			$\pm 0.5$			$\pm 0.25$	%
Full-Scale Error Drift	Ext. 2.5000V Ref			$\pm 2$		$\pm 2$		ppm/°C
Bipolar Zero Error <sup>(3)</sup>				$\pm 10$			$\pm 10$	mV
Bipolar Zero Error Drift				$\pm 2$		$\pm 2$		ppm/°C
Power Supply Sensitivity ( $V_{DIG} = V_{ANA} = V_D$ )	$+4.75V < V_D < +5.25V$			$\pm 8$		$\pm 2$	$\pm 8$	ppm/°C LSB
<b>AC ACCURACY</b>								
Spurious-Free Dynamic Range	$f_{IN} = 20\text{kHz}$	90			94			dB <sup>(5)</sup>
Total Harmonic Distortion	$f_{IN} = 20\text{kHz}$			–90			–94	dB
Signal-to-(Noise+Distortion)	$f_{IN} = 20\text{kHz}$	83	30		86	32		dB
Signal-to-Noise	–60dB Input $f_{IN} = 20\text{kHz}$	83			86			dB
Full-Power Bandwidth <sup>(6)</sup>			250			250		kHz
<b>SAMPLING DYNAMICS</b>								
Aperture Delay				40		40		ns
Transient Response	FS Step				2		2	$\mu\text{s}$
Overvoltage Recovery <sup>(7)</sup>				150		150		ns

# ELECTRICAL CHARACTERISTICS (Cont.)

T<sub>A</sub> = -25°C to +85°C, f<sub>S</sub> = 100kHz, V<sub>DIG</sub> = V<sub>ANA</sub> = +5V, using internal reference, unless otherwise specified.

PARAMETER	CONDITIONS	ADS7805P, U			ADS7805PB, UB			UNITS
		MIN	TYP	MAX	MIN	TYP	MAX	
<b>REFERENCE</b>								
Internal Reference Voltage		2.48	2.5	2.52	2.48	2.5	2.52	V
Int. Ref. Source Current (must use external buffer)			1			1		μA
Internal Reference Drift			8			8		ppm/°C
Ext. Ref. Voltage Range for Specified Linearity		2.3	2.5	2.7	2.3	2.5	2.7	V
External Reference Current Drain	Ext. 2.5000V Ref			100			100	μA
<b>DIGITAL INPUTS</b>								
Logic Levels								
V <sub>IL</sub>		-0.3		+0.8	-0.3		+0.8	V
V <sub>IH</sub>		+2.0		V <sub>D</sub> + 0.3V	+2.0		V <sub>D</sub> + 0.3V	V
I <sub>IL</sub>				±10			±10	μA
I <sub>IH</sub>				±10			±10	μA
<b>DIGITAL OUTPUTS</b>								
Data Format				Parallel 16 Bits Binary Two's Complement				
Data Coding								
V <sub>OL</sub>	I <sub>SINK</sub> = 1.6mA			+0.4			+0.4	V
V <sub>OH</sub>	I <sub>SOURCE</sub> = 500μA	+4			+4			V
Leakage Current	High-Z State, V <sub>OUT</sub> = 0V to V <sub>DIG</sub>			±5			±5	μA
Output Capacitance	High-Z State			15			15	pF
<b>DIGITAL TIMING</b>								
Bus Access Time				83			83	ns
Bus Relinquish Time				83			83	ns
<b>POWER SUPPLIES</b>								
Specified Performance								
V <sub>DIG</sub>	Must be ≤ V <sub>ANA</sub>	+4.75	+5	+5.25	+4.75	+5	+5.25	V
V <sub>ANA</sub>		+4.75	+5	+5.25	+4.75	+5	+5.25	V
I <sub>DIG</sub>			0.3			0.3		mA
I <sub>ANA</sub>			16			16		mA
Power Dissipation	f <sub>S</sub> = 100kHz			100			100	mW
<b>TEMPERATURE RANGE</b>								
Specified Performance		-25		+85	-25		+85	°C
Operating Temperature <sup>(8)</sup>		-40		+85	-40		+85	°C
Derated Performance		-55		+125	-55		+125	°C
Storage		-65		+150	-65		+150	°C
Thermal Resistance (θ <sub>JA</sub> )								
DIP-28			75			75		°C/W
SO-28			75			75		°C/W

NOTES: (1) LSB means Least Significant Bit. For the 16-bit, ±10V input ADS7805, one LSB is 305μV.

(2) Typical rms noise at worst case transitions and temperatures.

(3) As measured with fixed resistors, see Figure 4. Adjustable to zero with external potentiometer.

(4) Full-scale error is the worst case of -Full Scale or +Full Scale untrimmed deviation from ideal first and last code transitions, divided by the transition voltage (not divided by the full-scale range) and includes the effect of offset error.

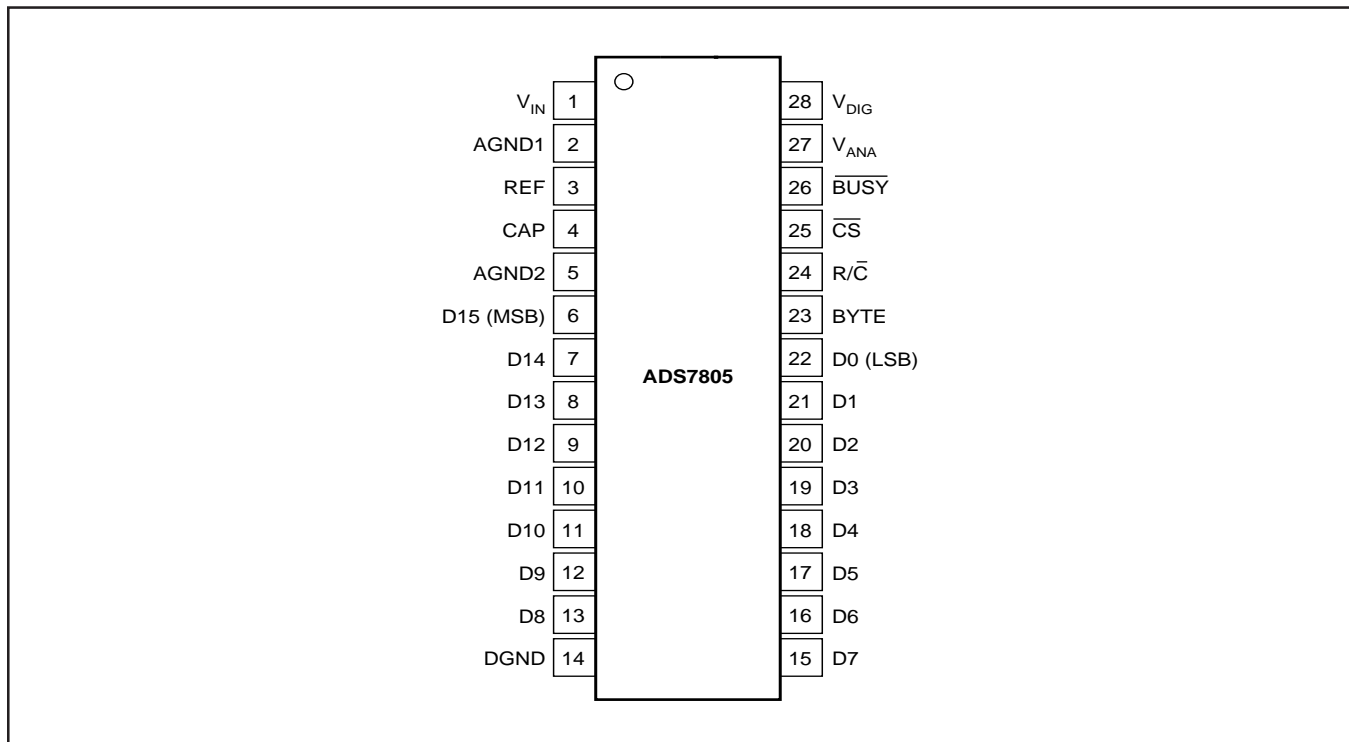
(5) All specifications in dB are referred to a full-scale ±10V input.

(6) Full-Power Bandwidth defined as Full-Scale input frequency at which Signal-to-(Noise + Distortion) degrades to 60dB, or 10 bits of accuracy.

(7) Recovers to specified performance after 2 • FS input overvoltage.

(8) Functionality test at -40°C.

## PIN CONFIGURATION

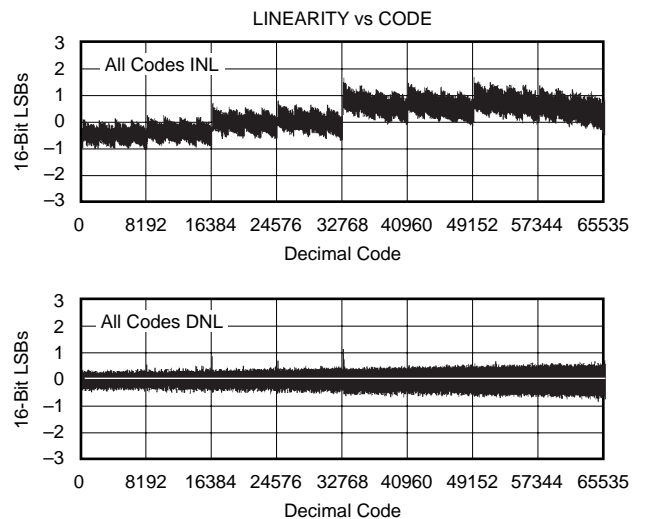
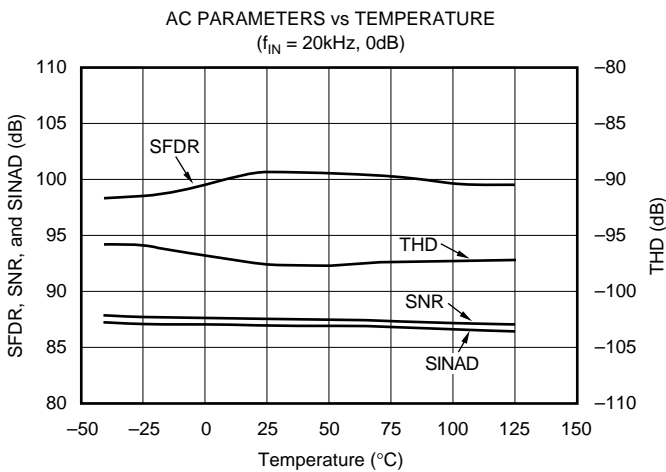
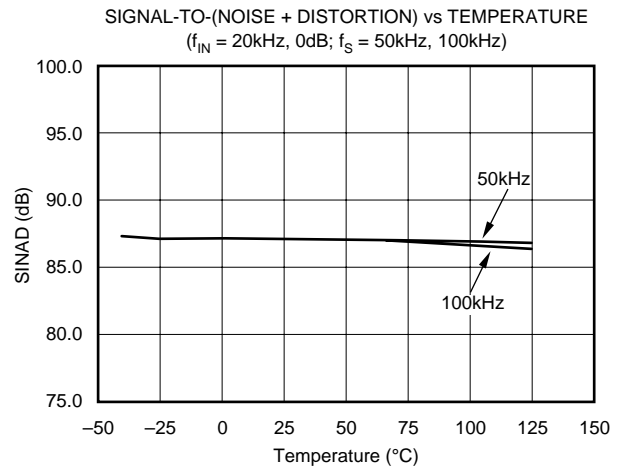
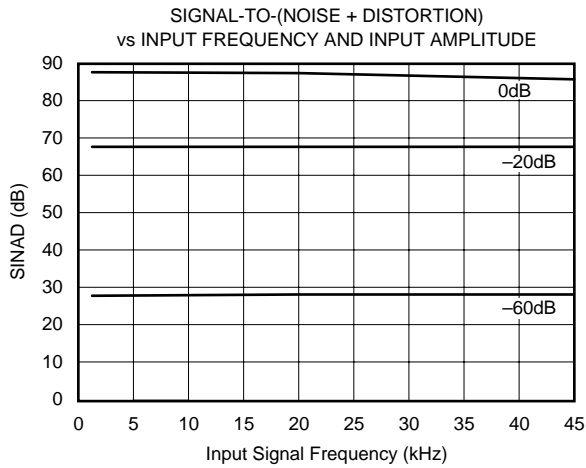
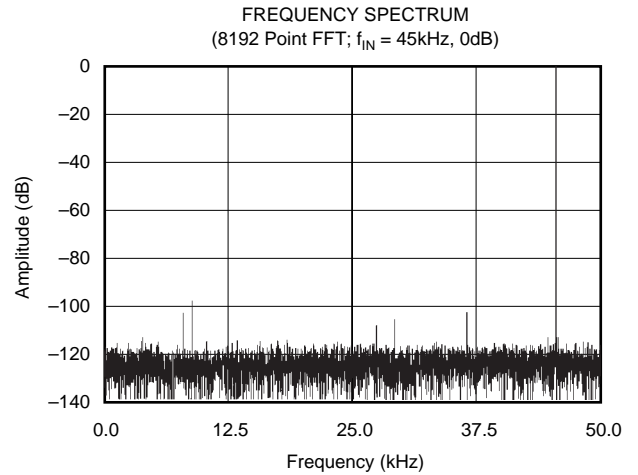
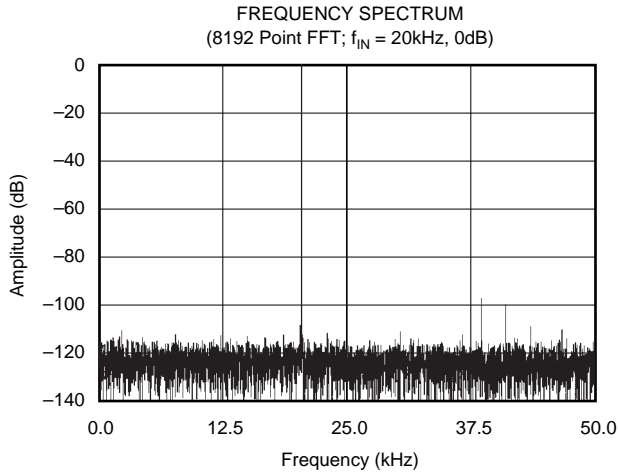


PIN #	NAME	DIGITAL I/O	DESCRIPTION
1	V <sub>IN</sub>		Analog Input. See Figure 7.
2	AGND1		Analog Ground. Used internally as ground reference point.
3	REF		Reference Input/Output. 2.2μF tantalum capacitor to ground.
4	CAP		Reference Buffer Capacitor. 2.2μF tantalum capacitor to ground.
5	AGND2		Analog Ground
6	D15 (MSB)	O	Data Bit 15. Most Significant Bit (MSB) of conversion results. Hi-Z state when $\overline{CS}$ is HIGH, or when $R/\overline{C}$ is LOW.
7	D14	O	Data Bit 14. Hi-Z state when $\overline{CS}$ is HIGH, or when $R/\overline{C}$ is LOW.
8	D13	O	Data Bit 13. Hi-Z state when $\overline{CS}$ is HIGH, or when $R/\overline{C}$ is LOW.
9	D12	O	Data Bit 12. Hi-Z state when $\overline{CS}$ is HIGH, or when $R/\overline{C}$ is LOW.
10	D11	O	Data Bit 11. Hi-Z state when $\overline{CS}$ is HIGH, or when $R/\overline{C}$ is LOW.
11	D10	O	Data Bit 10. Hi-Z state when $\overline{CS}$ is HIGH, or when $R/\overline{C}$ is LOW.
12	D9	O	Data Bit 9. Hi-Z state when $\overline{CS}$ is HIGH, or when $R/\overline{C}$ is LOW.
13	D8	O	Data Bit 8. Hi-Z state when $\overline{CS}$ is HIGH, or when $R/\overline{C}$ is LOW.
14	DGND		Digital Ground
15	D7	O	Data Bit 7. Hi-Z state when $\overline{CS}$ is HIGH, or when $R/\overline{C}$ is LOW.
16	D6	O	Data Bit 6. Hi-Z state when $\overline{CS}$ is HIGH, or when $R/\overline{C}$ is LOW.
17	D5	O	Data Bit 5. Hi-Z state when $\overline{CS}$ is HIGH, or when $R/\overline{C}$ is LOW.
18	D4	O	Data Bit 4. Hi-Z state when $\overline{CS}$ is HIGH, or when $R/\overline{C}$ is LOW.
19	D3	O	Data Bit 3. Hi-Z state when $\overline{CS}$ is HIGH, or when $R/\overline{C}$ is LOW.
20	D2	O	Data Bit 2. Hi-Z state when $\overline{CS}$ is HIGH, or when $R/\overline{C}$ is LOW.
21	D1	O	Data Bit 1. Hi-Z state when $\overline{CS}$ is HIGH, or when $R/\overline{C}$ is LOW.
22	D0 (LSB)	O	Data Bit 0. Least Significant Bit (LSB) of conversion results. Hi-Z state when $\overline{CS}$ is HIGH, or when $R/\overline{C}$ is LOW.
23	BYTE	I	Selects 8 most significant bits (LOW) or 8 least significant bits (HIGH).
24	R/ $\overline{C}$	I	With $\overline{CS}$ LOW and $\overline{BUSY}$ HIGH, a Falling Edge on $R/\overline{C}$ Initiates a new conversion. With $\overline{CS}$ LOW, a rising edge on $R/\overline{C}$ enables the parallel output.
25	$\overline{CS}$	I	Internally OR'd with $R/\overline{C}$ . If $R/\overline{C}$ LOW, a falling edge on $\overline{CS}$ initiates a new conversion.
26	$\overline{BUSY}$	O	At the start of a conversion, $\overline{BUSY}$ goes LOW and stays LOW until the conversion is completed and the digital outputs have been updated.
27	V <sub>ANA</sub>		Analog Supply Input. Nominally +5V. Decouple to ground with 0.1μF ceramic and 10μF tantalum capacitors.
28	V <sub>DIG</sub>		Digital Supply Input. Nominally +5V. Connect directly to pin 27. Must be $\leq V_{ANA}$ .

TABLE I. Pin Assignments.

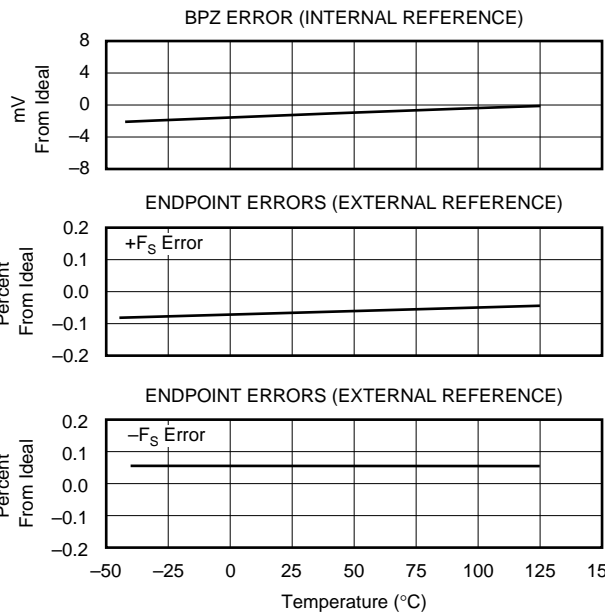
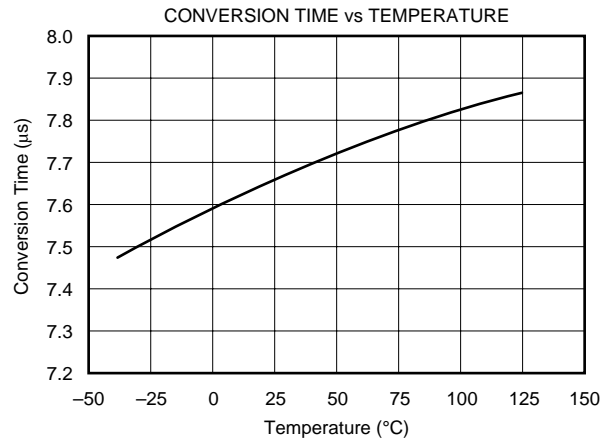
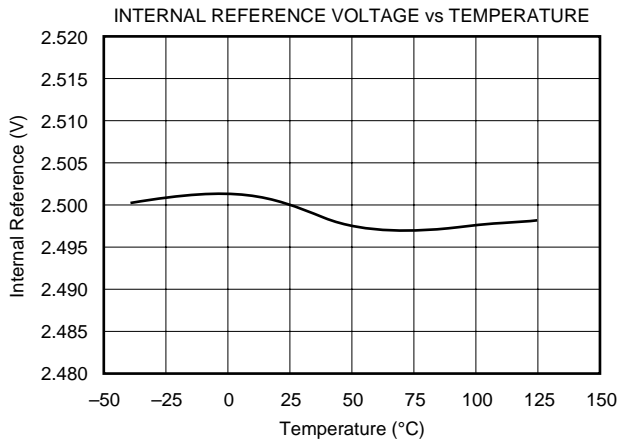
# TYPICAL CHARACTERISTICS

$T_A = +25^\circ\text{C}$ ,  $f_S = 100\text{kHz}$ ,  $V_{\text{DIG}} = V_{\text{ANA}} = +5\text{V}$ , using internal reference and fixed resistors shown in Figure 6b, unless otherwise specified.



# TYPICAL CHARACTERISTICS (Cont.)

$T_A = +25^\circ\text{C}$ ,  $f_s = 100\text{kHz}$ ,  $V_{\text{DIG}} = V_{\text{ANA}} = +5\text{V}$ , using internal reference and fixed resistors shown in Figure 6b, unless otherwise specified.



# BASIC OPERATION

Figure 1 shows a basic circuit to operate the ADS7805 with a full parallel data output. Taking  $\overline{R/\overline{C}}$  (pin 24) LOW for a minimum of 40ns ( $7\mu\text{s}$  max) will initiate a conversion.  $\overline{\text{BUSY}}$  (pin 26) will go LOW and stay LOW until the conversion is completed and the output registers are updated. Data will be output in Binary Two's Complement with the MSB on pin 6.  $\overline{\text{BUSY}}$  going HIGH can be used to latch the data. All convert commands will be ignored while  $\overline{\text{BUSY}}$  is LOW.

The ADS7805 will begin tracking the input signal at the end of the conversion. Allowing  $10\mu\text{s}$  between convert commands assures accurate acquisition of a new signal.

The offset and gain are adjusted internally to allow external trimming with a single supply. The external resistors compensate for this adjustment and can be left out if the offset and gain will be corrected in software (refer to the "Calibration" section).

# STARTING A CONVERSION

The combination of  $\overline{\text{CS}}$  (pin 25) and  $\overline{R/\overline{C}}$  (pin 24) LOW for a minimum of 40ns immediately puts the sample-and-hold of the ADS7805 in the hold state and starts conversion 'n'.  $\overline{\text{BUSY}}$  (pin 26) will go LOW and stay LOW until conversion 'n' is completed and the internal output register has been updated. All new convert commands during  $\overline{\text{BUSY}}$  LOW will be ignored.  $\overline{\text{CS}}$  and/or  $\overline{R/\overline{C}}$  must go HIGH before  $\overline{\text{BUSY}}$  goes HIGH or a new conversion will be initiated without sufficient time to acquire a new signal.

The ADS7805 will begin tracking the input signal at the end of the conversion. Allowing  $10\mu\text{s}$  between convert commands assures accurate acquisition of a new signal. Refer to

Table II for a summary of  $\overline{\text{CS}}$ ,  $\overline{R/\overline{C}}$ , and  $\overline{\text{BUSY}}$  states and Figures 3 through 5 for timing diagrams.

$\overline{\text{CS}}$  and  $\overline{R/\overline{C}}$  are internally OR'd and level triggered. There is not a requirement which input goes LOW first when initiating a conversion. If, however, it is critical that  $\overline{\text{CS}}$  or  $\overline{R/\overline{C}}$  initiates conversion 'n', be sure the less critical input is LOW for at least 10ns prior to the initiating input.

To reduce the number of control pins,  $\overline{\text{CS}}$  can be tied LOW using  $\overline{R/\overline{C}}$  to control the read and convert modes. This will have no effect when using the internal data clock in the serial output mode. However, the parallel output will become active whenever  $\overline{R/\overline{C}}$  goes HIGH. Refer to the "Reading Data" section.

$\overline{\text{CS}}$	$\overline{R/\overline{C}}$	$\overline{\text{BUSY}}$	OPERATION
1	X	X	None. Databus is in Hi-Z state.
↓	0	1	Initiates conversion "n". Databus remains in Hi-Z state.
0	↓	1	Initiates conversion "n". Databus enters Hi-Z state.
0	1	↑	Conversion "n" completed. Valid data from conversion "n" on the databus.
↓	1	1	Enables databus with valid data from conversion "n".
↓	1	0	Enables databus with valid data from conversion "n-1" <sup>(1)</sup> . Conversion n in progress.
0	↑	0	Enables databus with valid data from conversion "n-1" <sup>(1)</sup> . Conversion "n" in progress.
0	0	↑	New conversion initiated without acquisition of a new signal. Data will be invalid. $\overline{\text{CS}}$ and/or $\overline{R/\overline{C}}$ must be HIGH when $\overline{\text{BUSY}}$ goes HIGH.
X	X	0	New convert commands ignored. Conversion "n" in progress.

NOTE: (1) See Figures 3 and 4 for constraints on data valid from conversion "n-1".

Table II. Control Line Functions for "Read" and "Convert".

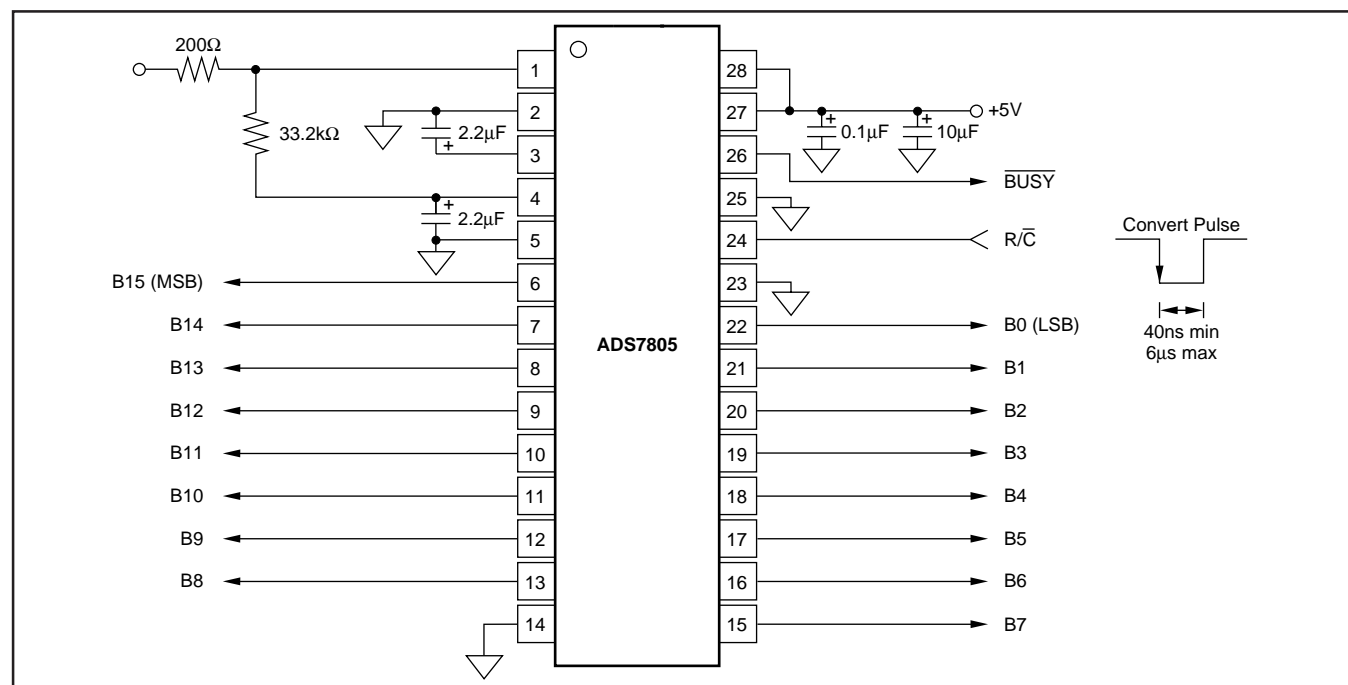


FIGURE 1. Basic Operation.

# READING DATA

The ADS7805 outputs full or byte-reading parallel data in Binary Two's Complement data output format. The parallel output will be active when  $R/\overline{C}$  (pin 24) is HIGH and  $\overline{CS}$  (pin 25) is LOW. Any other combination of  $\overline{CS}$  and  $R/\overline{C}$  will tri-state the parallel output. Valid conversion data can be read in a full parallel, 16-bit word or two 8-bit bytes on pins 6-13 and pins 15-22. BYTE (pin 23) can be toggled to read both bytes within one conversion cycle. Refer to Table III for ideal output codes and Figure 2 for bit locations relative to the state of BYTE.

DESCRIPTION	ANALOG INPUT	DIGITAL OUTPUT BINARY TWO'S COMPLEMENT	
		BINARY CODE	HEX CODE
Full-Scale Range	$\pm 10V$		
Least Significant Bit (LSB)	$305\mu V$		
+Full Scale (10V - 1LSB)	9.999695V	0111 1111 1111 1111	7FFF
Mid-scale	0V	0000 0000 0000 0000	0000
One LSB below Mid-scale	$-305\mu V$	1111 1111 1111 1111	FFFF
-Full Scale	$-10V$	1000 0000 0000 0000	8000

Table III. Ideal Input Voltages and Output Codes.

## PARALLEL OUTPUT (After a Conversion)

After conversion 'n' is completed and the output registers have been updated,  $\overline{BUSY}$  (pin 26) will go HIGH. Valid data from conversion 'n' will be available on D15-D0 (pins 6-13 and 15-22).  $\overline{BUSY}$  going HIGH can be used to latch the data. Refer to Table IV and Figures 3 to 5 for timing specifications.

## PARALLEL OUTPUT (During a Conversion)

After conversion 'n' has been initiated, valid data from conversion 'n - 1' can be read and will be valid up to  $7\mu s$  after the start of conversion 'n'. Do not attempt to read data from  $7\mu s$  after the start of conversion 'n' until  $\overline{BUSY}$  (pin 26) goes HIGH; this may result in reading invalid data. Refer to Table IV and Figures 3 to 5 for timing specifications.

**Note!** For the best possible performance, data should not be read during a conversion. The switching noise of the asynchronous data transfer can cause digital feedthrough degrading the converter's performance.

The number of control lines can be reduced by tying  $\overline{CS}$  LOW while using  $R/\overline{C}$  to initiate conversions and activate the output mode of the converter (see Figure 3).

SYMBOL	DESCRIPTION	MIN	TYP	MAX	UNITS
$t_1$	Convert Pulse Width	40		7000	ns
$t_2$	Data Valid Delay after $R/\overline{C}$ LOW			8	$\mu s$
$t_3$	$\overline{BUSY}$ Delay from $R/\overline{C}$ LOW			65	ns
$t_4$	$\overline{BUSY}$ Delay after $\overline{BUSY}$ LOW			8	$\mu s$
$t_5$	$\overline{BUSY}$ Delay after End of Conversion		220		ns
$t_6$	Aperture Delay		40		ns
$t_7$	Conversion Time		7.6	8	$\mu s$
$t_8$	Acquisition Time			2	$\mu s$
$t_9$	Bus Relinquish Time	10	35	83	ns
$t_{10}$	$\overline{BUSY}$ Delay after Data Valid	50	200		ns
$t_{11}$	Previous Data Valid after $R/\overline{C}$ LOW		7.4		$\mu s$
$t_7 + t_6$	Throughput Time		9	10	$\mu s$
$t_{12}$	$R/\overline{C}$ to $\overline{CS}$ Setup Time	10			ns
$t_{13}$	Time Between Conversions	10			$\mu s$
$t_{14}$	Bus Access Time and BYTE Delay	10		83	ns

TABLE IV. Conversion Timing.

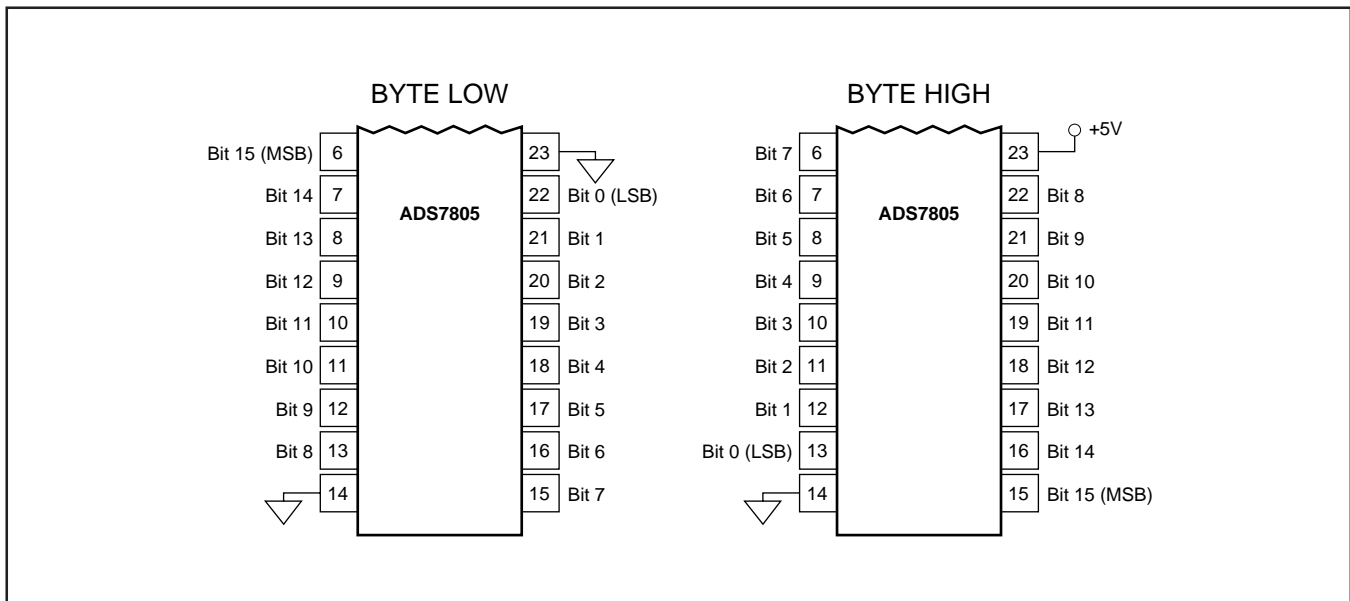


FIGURE 2. Bit Locations Relative to State of BYTE (pin 23).



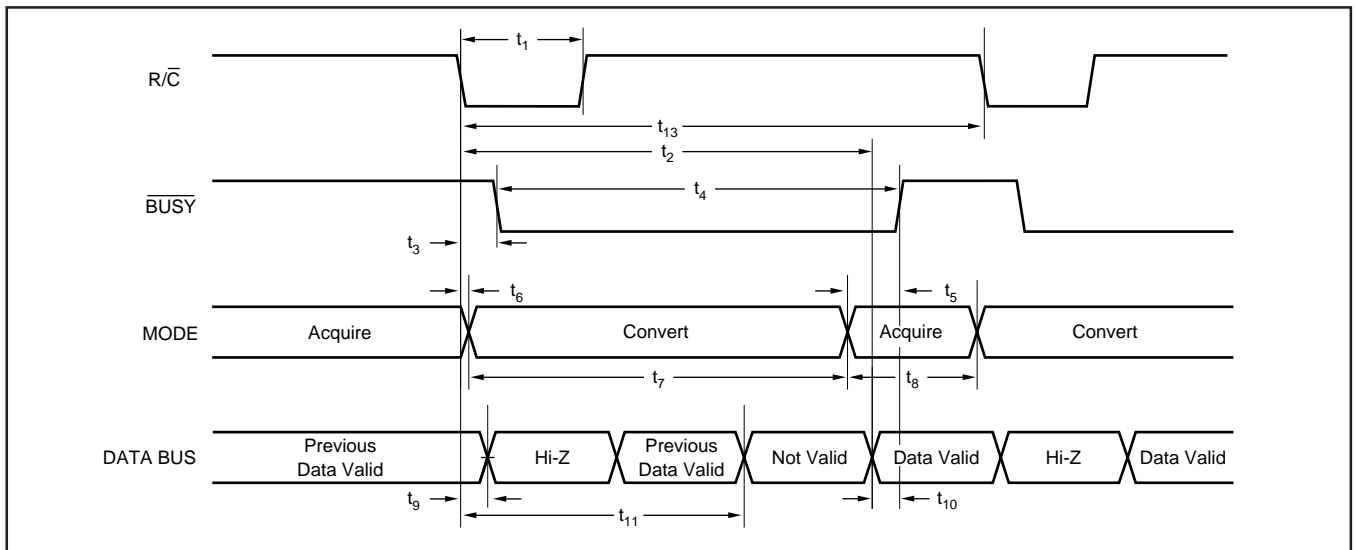


FIGURE 3. Conversion Timing with Outputs Enabled after Conversion ( $\overline{CS}$  Tied LOW).

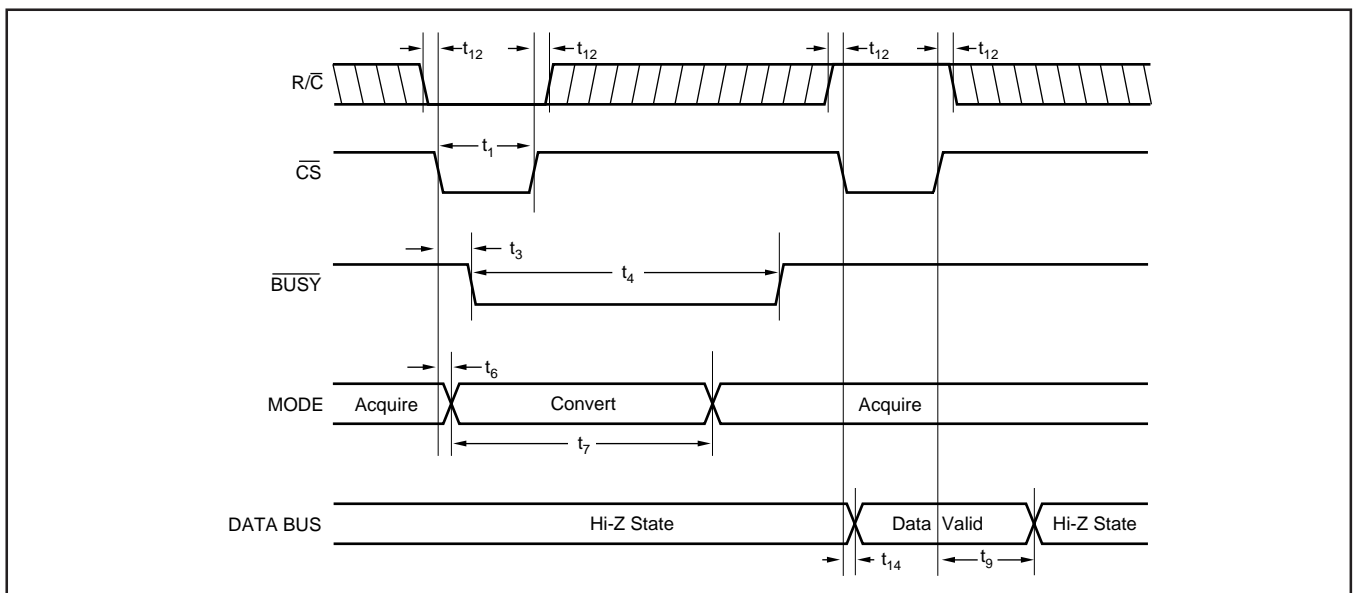


FIGURE 4. Using  $\overline{CS}$  to Control Conversion and Read Timing.

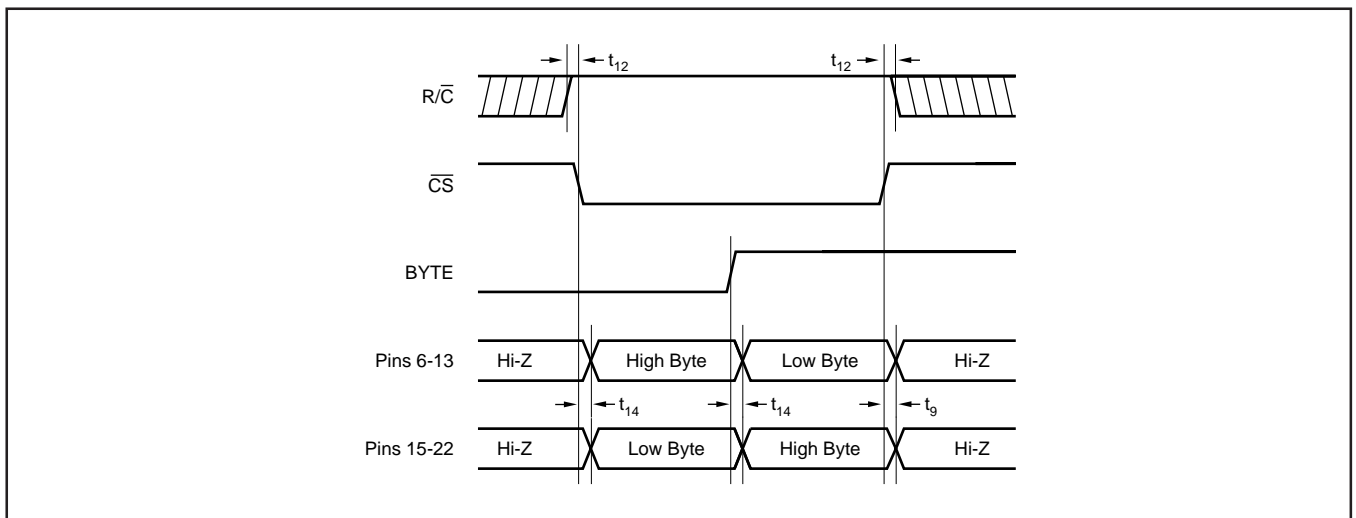


FIGURE 5. Using  $\overline{CS}$  and BYTE to Control Data Bus.

## INPUT RANGES

The ADS7805 offers a standard  $\pm 10V$  input range. Figure 6 shows the necessary circuit connections for the ADS7805 with and without hardware trim. Offset and full-scale error<sup>(1)</sup> specifications are tested and specified with the fixed resistors shown in Figure 6b. Adjustments for offset and gain are described in the “Calibration” section of this data sheet.

The offset and gain are adjusted internally to allow external trimming with a single supply. The external resistors compensate for this adjustment and can be left out if the offset and gain will be corrected in software (refer to the “Calibration” section).

The nominal input impedance of  $23k\Omega$  results from the combination of the internal resistor network shown on the front page of the product data sheet and the external resistors. The input resistor divider network provides inherent overvoltage protection ensured to at least  $\pm 25V$ . The 1% resistors used for the external circuitry do not compromise the accuracy or drift of the converter. They have little influence relative to the internal resistors, and tighter tolerances are not required.

NOTE: (1) Full-scale error includes offset and gain errors measured at both +FS and -FS.

## CALIBRATION

The ADS7805 can be trimmed in hardware or software. The offset should be trimmed before the gain since the offset directly affects the gain. To achieve optimum performance, several iterations may be required.

### HARDWARE CALIBRATION

To calibrate the offset and gain of the ADS7805, install the proper resistors and potentiometers as shown in Figure 6a. The calibration range is  $\pm 15mV$  for the offset and  $\pm 60mV$  for the gain.

## SOFTWARE CALIBRATION

To calibrate the offset and gain of the ADS7805 in software, no external resistors are required. See the “No Calibration” section for details on the effects of the external resistors. Range of offset and gain errors with and without external resistors is shown in Table V.

### NO CALIBRATION

Figure 6b shows circuit connections. The external resistors shown in Figure 6b may not be necessary in some applications. These resistors provide compensation for an internal adjustment of the offset and gain which allows calibration with a single supply. The nominal transfer function of the ADS7805 will be bound by the shaded region (see Figure 7) with a typical offset of  $-30mV$  and a typical gain error of  $-1.5\%$ . Refer to Table V for range of offset and gain errors with and without external resistors.

	WITH EXTERNAL RESISTORS	WITHOUT EXTERNAL RESISTORS	UNITS
BPO	$-10 < BPO < 10$ $-30 < BPO < 30$	$-50 < BPO < -15$ $-150 < BPO < -45$	mV LSBs
Gain Error	$-0.5 < \text{error} < 0.5$	$-2 < \text{error} < -1$	% of FSR

TABLE V. Offset and Gain Errors With and Without External Resistors.

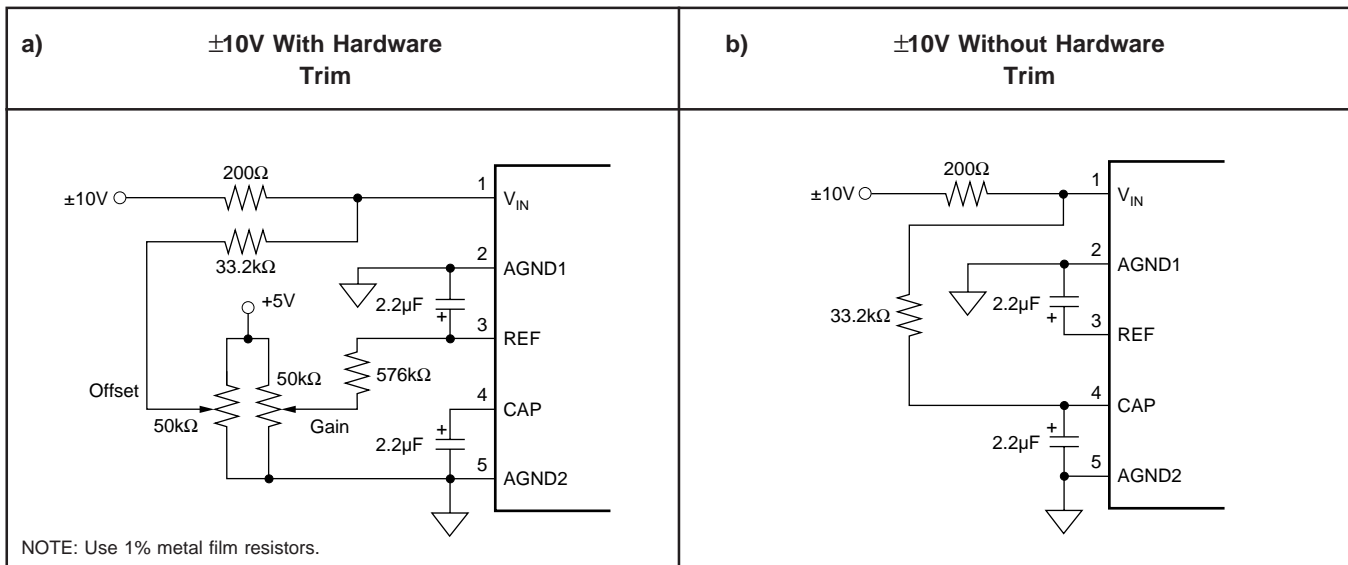


FIGURE 6. Circuit Diagram With and Without External Resistors.

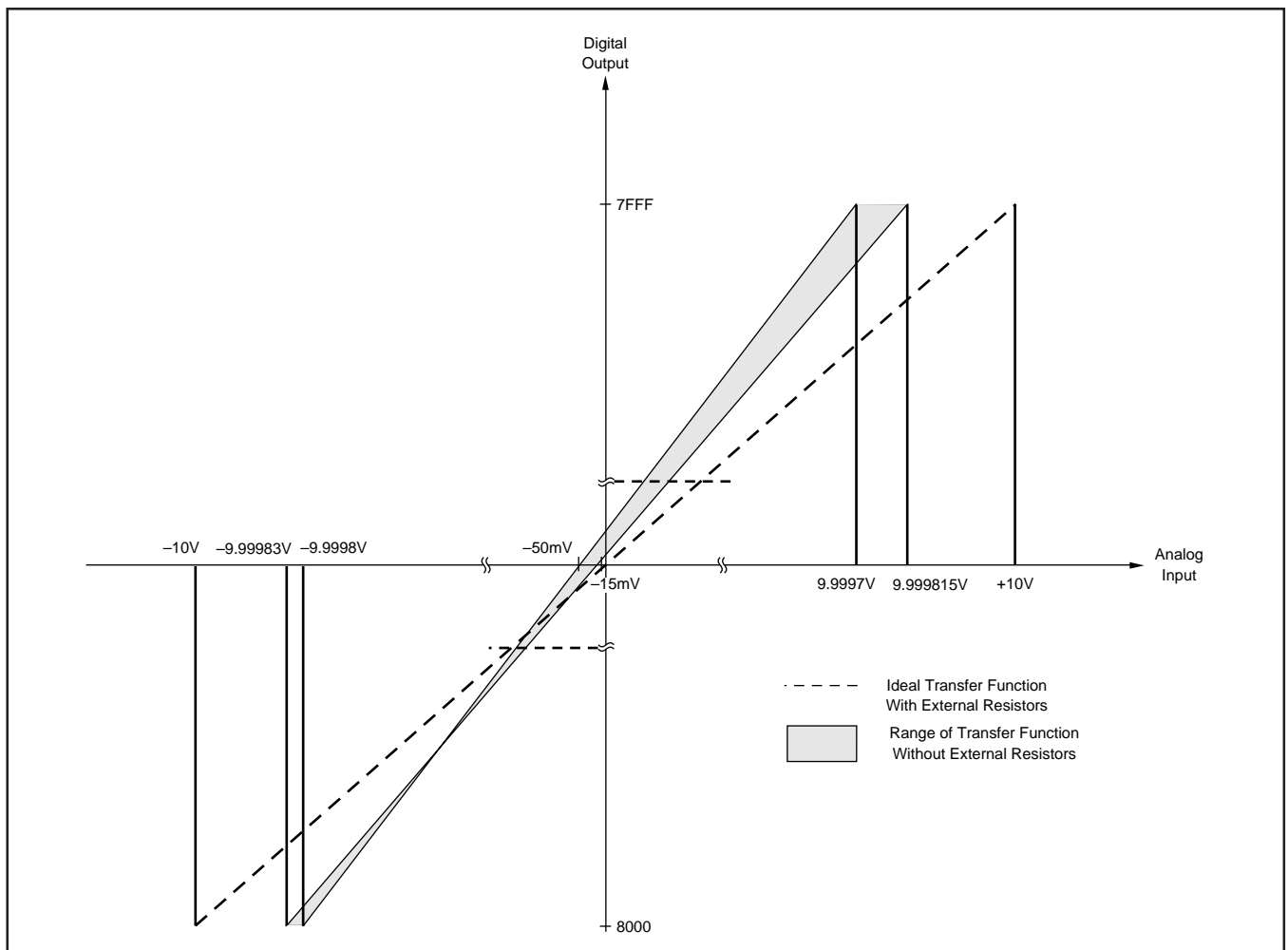


FIGURE 7. Full-Scale Transfer Function.

## REFERENCE

The ADS7805 can operate with its internal 2.5V reference or an external reference. By applying an external reference to pin 5, the internal reference can be bypassed. The reference voltage at REF is buffered internally with the output on CAP (pin 4).

The internal reference has an 8 ppm/°C drift (typical) and accounts for approximately 20% of the full-scale error (FSE =  $\pm 0.5\%$  for low grade,  $\pm 0.25\%$  for high grade).

### REF

REF (pin 3) is an input for an external reference or the output for the internal 2.5V reference. A 2.2 $\mu$ F capacitor should be connected as close to the REF pin as possible. The capacitor and the output resistance of REF create a low-pass filter to bandlimit noise on the reference. Using a smaller value capacitor will introduce more noise to the reference degrading the SNR and SINAD. The REF pin should not be used to drive external AC or DC loads.

The range for the external reference is 2.3V to 2.7V and determines the actual LSB size. Increasing the reference voltage will increase the full-scale range and the LSB size of the converter which can improve the SNR.

### CAP

CAP (pin 4) is the output of the internal reference buffer. A 2.2 $\mu$ F capacitor should be placed as close to the CAP pin as possible to provide optimum switching currents for the CDAC throughout the conversion cycle and compensation for the output of the internal buffer. Using a capacitor any smaller than 1 $\mu$ F can cause the output buffer to oscillate and may not have sufficient charge for the CDAC. Capacitor values larger than 2.2 $\mu$ F will have little effect on improving performance.

The output of the buffer is capable of driving up to 2mA of current to a DC load. DC loads requiring more than 2mA of current from the CAP pin will begin to degrade the linearity of the ADS7805. Using an external buffer will allow the internal reference to be used for larger DC loads and AC loads. Do not attempt to directly drive an AC load with the output voltage on CAP. This will cause performance degradation of the converter.

# LAYOUT

## POWER

For optimum performance, tie the analog and digital power pins to the same +5V power supply and tie the analog and digital grounds together. As noted in the electrical specifications, the ADS7805 uses 90% of its power for the analog circuitry. The ADS7805 should be considered as an analog component.

The +5V power for the A/D converter should be separate from the +5V used for the system's digital logic. Connecting  $V_{DIG}$  (pin 28) directly to a digital supply can reduce converter performance due to switching noise from the digital logic. For best performance, the +5V supply can be produced from whatever analog supply is used for the rest of the analog signal conditioning. If +12V or +15V supplies are present, a simple +5V regulator can be used. Although it is not suggested, if the digital supply must be used to power the converter, be sure to properly filter the supply. Either using a filtered digital supply or a regulated analog supply, both  $V_{DIG}$  and  $V_{ANA}$  should be tied to the same +5V source.

## GROUNDING

Three ground pins are present on the ADS7805. DGND is the digital supply ground. AGND2 is the analog supply ground. AGND1 is the ground which all analog signals internal to the A/D converter are referenced. AGND1 is more susceptible to current induced voltage drops and must have the path of least resistance back to the power supply.

All the ground pins of the A/D converter should be tied to the analog ground plane, separated from the system's digital logic ground, to achieve optimum performance. Both analog and digital ground planes should be tied to the "system" ground as near to the power supplies as possible. This helps to prevent dynamic digital ground currents from modulating the analog ground through a common impedance to power ground.

## SIGNAL CONDITIONING

The FET switches used for the sample-and-hold on many CMOS A/D converters release a significant amount of charge injection which can cause the driving op amp to oscillate. The FET switch on the ADS7805, compared to the FET switches on other CMOS A/D converters, releases 5%-10% of the charge. There is also a resistive front end which attenuates any charge which is released. The end result is a minimal requirement for the anti-alias filter on the front end. Any op amp sufficient for the signal in an application will be sufficient to drive the ADS7805.

The resistive front end of the ADS7805 also provides an ensured  $\pm 25V$  overvoltage protection. In most cases, this eliminates the need for external input protection circuitry.

## INTERMEDIATE LATCHES

The ADS7805 does have tri-state outputs for the parallel port, but intermediate latches should be used if the bus will be active during conversions. If the bus is not active during conversion, the tri-state outputs can be used to isolate the A/D converter from other peripherals on the same bus. Tri-state outputs can also be used when the A/D converter is the only peripheral on the data bus.

Intermediate latches are beneficial on any monolithic A/D converter. The ADS7805 has an internal LSB size of  $38\mu V$ . Transients from fast switching signals on the parallel port, even when the A/D converter is tri-stated, can be coupled through the substrate to the analog circuitry causing degradation of converter performance.

## Revision History

DATE	REVISION	PAGE	SECTION	DESCRIPTION
10/06	D	3	Absolute Maximum Ratings	CAP and REF were switched.
8/06	C	2	Package/Ordering Information	Corrected typos in ordering table.

NOTE: Page numbers for previous revisions may differ from page numbers in the current version.

**PACKAGING INFORMATION**

Orderable Device	Status <sup>(1)</sup>	Package Type	Package Drawing	Pins	Package Qty	Eco Plan <sup>(2)</sup>	Lead/ Ball Finish	MSL Peak Temp <sup>(3)</sup>	Samples (Requires Login)
ADS7805P	NRND	PDIP	NT	28	13	Green (RoHS & no Sb/Br)	CU NIPDAU	N / A for Pkg Type	
ADS7805PB	NRND	PDIP	NT	28	13	Green (RoHS & no Sb/Br)	CU NIPDAU	N / A for Pkg Type	
ADS7805PBG4	NRND	PDIP	NT	28	13	Green (RoHS & no Sb/Br)	CU NIPDAU	N / A for Pkg Type	
ADS7805PG4	NRND	PDIP	NT	28	13	Green (RoHS & no Sb/Br)	CU NIPDAU	N / A for Pkg Type	
ADS7805U	NRND	SOIC	DW	28	20	Green (RoHS & no Sb/Br)	CU NIPDAU	Level-3-260C-168 HR	
ADS7805U/1K	NRND	SOIC	DW	28	1000	Green (RoHS & no Sb/Br)	CU NIPDAU	Level-3-260C-168 HR	
ADS7805U/1KE4	NRND	SOIC	DW	28	1000	Green (RoHS & no Sb/Br)	CU NIPDAU	Level-3-260C-168 HR	
ADS7805UB	NRND	SOIC	DW	28	20	Green (RoHS & no Sb/Br)	CU NIPDAU	Level-3-260C-168 HR	
ADS7805UB/1K	NRND	SOIC	DW	28	1000	Green (RoHS & no Sb/Br)	CU NIPDAU	Level-3-260C-168 HR	
ADS7805UB/1KE4	NRND	SOIC	DW	28	1000	Green (RoHS & no Sb/Br)	CU NIPDAU	Level-3-260C-168 HR	
ADS7805UBE4	NRND	SOIC	DW	28	20	Green (RoHS & no Sb/Br)	CU NIPDAU	Level-3-260C-168 HR	
ADS7805UBG4	NRND	SOIC	DW	28	20	Green (RoHS & no Sb/Br)	CU NIPDAU	Level-3-260C-168 HR	
ADS7805UE4	NRND	SOIC	DW	28	20	Green (RoHS & no Sb/Br)	CU NIPDAU	Level-3-260C-168 HR	
ADS7805UG4	NRND	SOIC	DW	28	20	Green (RoHS & no Sb/Br)	CU NIPDAU	Level-3-260C-168 HR	

<sup>(1)</sup> The marketing status values are defined as follows:

**ACTIVE:** Product device recommended for new designs.

**LIFEBUY:** TI has announced that the device will be discontinued, and a lifetime-buy period is in effect.

**NRND:** Not recommended for new designs. Device is in production to support existing customers, but TI does not recommend using this part in a new design.

**PREVIEW:** Device has been announced but is not in production. Samples may or may not be available.

**OBSELETE:** TI has discontinued the production of the device.

<sup>(2)</sup> Eco Plan - The planned eco-friendly classification: Pb-Free (RoHS), Pb-Free (RoHS Exempt), or Green (RoHS & no Sb/Br) - please check <http://www.ti.com/productcontent> for the latest availability information and additional product content details.

**TBD:** The Pb-Free/Green conversion plan has not been defined.

**Pb-Free (RoHS):** TI's terms "Lead-Free" or "Pb-Free" mean semiconductor products that are compatible with the current RoHS requirements for all 6 substances, including the requirement that lead not exceed 0.1% by weight in homogeneous materials. Where designed to be soldered at high temperatures, TI Pb-Free products are suitable for use in specified lead-free processes.

**Pb-Free (RoHS Exempt):** This component has a RoHS exemption for either 1) lead-based flip-chip solder bumps used between the die and package, or 2) lead-based die adhesive used between the die and leadframe. The component is otherwise considered Pb-Free (RoHS compatible) as defined above.

**Green (RoHS & no Sb/Br):** TI defines "Green" to mean Pb-Free (RoHS compatible), and free of Bromine (Br) and Antimony (Sb) based flame retardants (Br or Sb do not exceed 0.1% by weight in homogeneous material)

<sup>(3)</sup> MSL, Peak Temp. -- The Moisture Sensitivity Level rating according to the JEDEC industry standard classifications, and peak solder temperature.

**Important Information and Disclaimer:** The information provided on this page represents TI's knowledge and belief as of the date that it is provided. TI bases its knowledge and belief on information provided by third parties, and makes no representation or warranty as to the accuracy of such information. Efforts are underway to better integrate information from third parties. TI has taken and continues to take reasonable steps to provide representative and accurate information but may not have conducted destructive testing or chemical analysis on incoming materials and chemicals. TI and TI suppliers consider certain information to be proprietary, and thus CAS numbers and other limited information may not be available for release.

In no event shall TI's liability arising out of such information exceed the total purchase price of the TI part(s) at issue in this document sold by TI to Customer on an annual basis.

**TAPE AND REEL INFORMATION**

**QUADRANT ASSIGNMENTS FOR PIN 1 ORIENTATION IN TAPE**


\*All dimensions are nominal

Device	Package Type	Package Drawing	Pins	SPQ	Reel Diameter (mm)	Reel Width W1 (mm)	A0 (mm)	B0 (mm)	K0 (mm)	P1 (mm)	W (mm)	Pin1 Quadrant
ADS7805U/1K	SOIC	DW	28	1000	330.0	32.4	11.35	18.67	3.1	16.0	32.0	Q1
ADS7805UB/1K	SOIC	DW	28	1000	330.0	32.4	11.35	18.67	3.1	16.0	32.0	Q1



TAPE AND REEL BOX DIMENSIONS



\*All dimensions are nominal

Device	Package Type	Package Drawing	Pins	SPQ	Length (mm)	Width (mm)	Height (mm)
ADS7805U/1K	SOIC	DW	28	1000	346.0	346.0	49.0
ADS7805UB/1K	SOIC	DW	28	1000	346.0	346.0	49.0

DW (R-PDSO-G28)

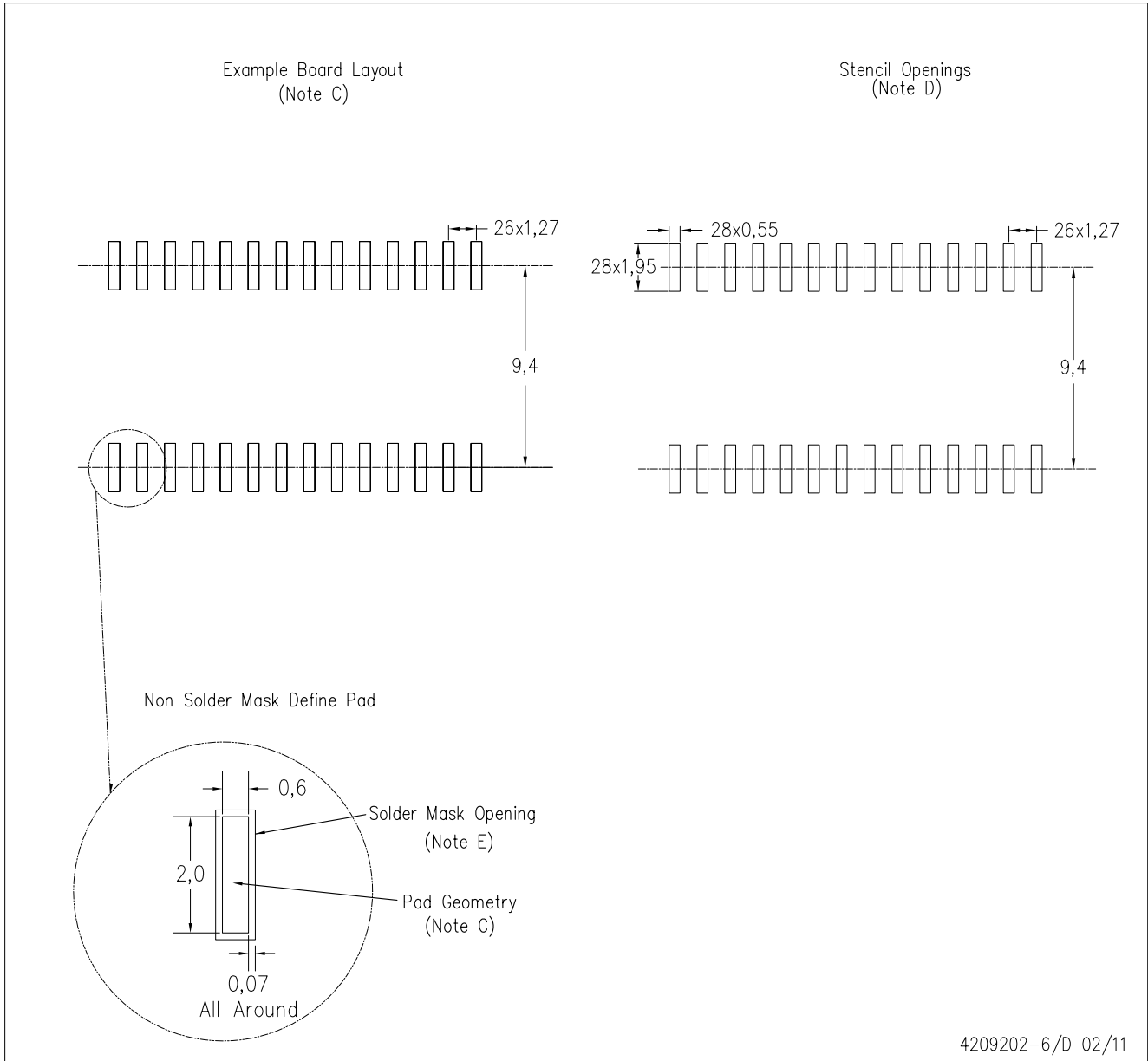
PLASTIC SMALL OUTLINE



- NOTES:
- A. All linear dimensions are in inches (millimeters). Dimensioning and tolerancing per ASME Y14.5M-1994.
  - B. This drawing is subject to change without notice.
  - C. Body dimensions do not include mold flash or protrusion not to exceed 0.006 (0,15).
  - D. Falls within JEDEC MS-013 variation AE.

DW (R-PDSO-G28)

PLASTIC SMALL OUTLINE



4209202-6/D 02/11

- NOTES:
- A. All linear dimensions are in millimeters.
  - B. This drawing is subject to change without notice.
  - C. Refer to IPC7351 for alternate board design.
  - D. Laser cutting apertures with trapezoidal walls and also rounding corners will offer better paste release. Customers should contact their board assembly site for stencil design recommendations. Refer to IPC-7525
  - E. Customers should contact their board fabrication site for solder mask tolerances between and around signal pads.

## IMPORTANT NOTICE

Texas Instruments Incorporated and its subsidiaries (TI) reserve the right to make corrections, modifications, enhancements, improvements, and other changes to its products and services at any time and to discontinue any product or service without notice. Customers should obtain the latest relevant information before placing orders and should verify that such information is current and complete. All products are sold subject to TI's terms and conditions of sale supplied at the time of order acknowledgment.

TI warrants performance of its hardware products to the specifications applicable at the time of sale in accordance with TI's standard warranty. Testing and other quality control techniques are used to the extent TI deems necessary to support this warranty. Except where mandated by government requirements, testing of all parameters of each product is not necessarily performed.

TI assumes no liability for applications assistance or customer product design. Customers are responsible for their products and applications using TI components. To minimize the risks associated with customer products and applications, customers should provide adequate design and operating safeguards.

TI does not warrant or represent that any license, either express or implied, is granted under any TI patent right, copyright, mask work right, or other TI intellectual property right relating to any combination, machine, or process in which TI products or services are used. Information published by TI regarding third-party products or services does not constitute a license from TI to use such products or services or a warranty or endorsement thereof. Use of such information may require a license from a third party under the patents or other intellectual property of the third party, or a license from TI under the patents or other intellectual property of TI.

Reproduction of TI information in TI data books or data sheets is permissible only if reproduction is without alteration and is accompanied by all associated warranties, conditions, limitations, and notices. Reproduction of this information with alteration is an unfair and deceptive business practice. TI is not responsible or liable for such altered documentation. Information of third parties may be subject to additional restrictions.

Resale of TI products or services with statements different from or beyond the parameters stated by TI for that product or service voids all express and any implied warranties for the associated TI product or service and is an unfair and deceptive business practice. TI is not responsible or liable for any such statements.

TI products are not authorized for use in safety-critical applications (such as life support) where a failure of the TI product would reasonably be expected to cause severe personal injury or death, unless officers of the parties have executed an agreement specifically governing such use. Buyers represent that they have all necessary expertise in the safety and regulatory ramifications of their applications, and acknowledge and agree that they are solely responsible for all legal, regulatory and safety-related requirements concerning their products and any use of TI products in such safety-critical applications, notwithstanding any applications-related information or support that may be provided by TI. Further, Buyers must fully indemnify TI and its representatives against any damages arising out of the use of TI products in such safety-critical applications.

TI products are neither designed nor intended for use in military/aerospace applications or environments unless the TI products are specifically designated by TI as military-grade or "enhanced plastic." Only products designated by TI as military-grade meet military specifications. Buyers acknowledge and agree that any such use of TI products which TI has not designated as military-grade is solely at the Buyer's risk, and that they are solely responsible for compliance with all legal and regulatory requirements in connection with such use.

TI products are neither designed nor intended for use in automotive applications or environments unless the specific TI products are designated by TI as compliant with ISO/TS 16949 requirements. Buyers acknowledge and agree that, if they use any non-designated products in automotive applications, TI will not be responsible for any failure to meet such requirements.

Following are URLs where you can obtain information on other Texas Instruments products and application solutions:

### Products

Audio	<a href="http://www.ti.com/audio">www.ti.com/audio</a>
Amplifiers	<a href="http://amplifier.ti.com">amplifier.ti.com</a>
Data Converters	<a href="http://dataconverter.ti.com">dataconverter.ti.com</a>
DLP® Products	<a href="http://www.dlp.com">www.dlp.com</a>
DSP	<a href="http://dsp.ti.com">dsp.ti.com</a>
Clocks and Timers	<a href="http://www.ti.com/clocks">www.ti.com/clocks</a>
Interface	<a href="http://interface.ti.com">interface.ti.com</a>
Logic	<a href="http://logic.ti.com">logic.ti.com</a>
Power Mgmt	<a href="http://power.ti.com">power.ti.com</a>
Microcontrollers	<a href="http://microcontroller.ti.com">microcontroller.ti.com</a>
RFID	<a href="http://www.ti-rfid.com">www.ti-rfid.com</a>
RF/IF and ZigBee® Solutions	<a href="http://www.ti.com/lprf">www.ti.com/lprf</a>

### Applications

Communications and Telecom	<a href="http://www.ti.com/communications">www.ti.com/communications</a>
Computers and Peripherals	<a href="http://www.ti.com/computers">www.ti.com/computers</a>
Consumer Electronics	<a href="http://www.ti.com/consumer-apps">www.ti.com/consumer-apps</a>
Energy and Lighting	<a href="http://www.ti.com/energy">www.ti.com/energy</a>
Industrial	<a href="http://www.ti.com/industrial">www.ti.com/industrial</a>
Medical	<a href="http://www.ti.com/medical">www.ti.com/medical</a>
Security	<a href="http://www.ti.com/security">www.ti.com/security</a>
Space, Avionics and Defense	<a href="http://www.ti.com/space-avionics-defense">www.ti.com/space-avionics-defense</a>
Transportation and Automotive	<a href="http://www.ti.com/automotive">www.ti.com/automotive</a>
Video and Imaging	<a href="http://www.ti.com/video">www.ti.com/video</a>
Wireless	<a href="http://www.ti.com/wireless-apps">www.ti.com/wireless-apps</a>

TI E2E Community Home Page

[e2e.ti.com](http://e2e.ti.com)

Mailing Address: Texas Instruments, Post Office Box 655303, Dallas, Texas 75265  
Copyright © 2011, Texas Instruments Incorporated