

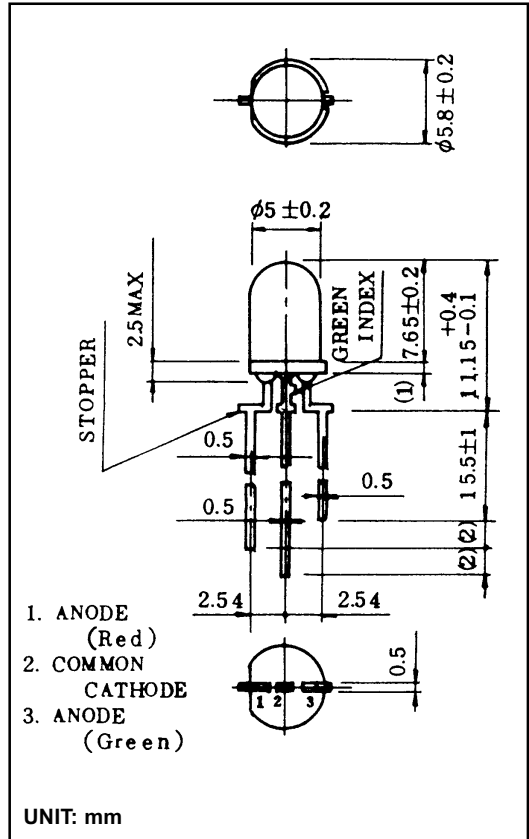
TLSG116

Product Features -

- Red/Green Three Lead Device
- T1¼ (5 mm) Package
- White Diffused Lens

MAXIMUM RATINGS (Ta = 25°C)

CHARACTERISTIC	SYMBOL	RATING	UNIT
Forward Current	I_F	25	mA
Reverse Voltage	V_R	4	V
Power Dissipation	P_D	75	mW
Operating Temperature	T_{opr}	-20 ~ 75	°C
Storage Temperature	T_{stg}	-30 ~ 100	°C



OPTO-ELECTRICAL CHARACTERISTICS (Ta = 25°C)

CHARACTERISTIC	SYMBOL	TEST CONDITION	MIN.	TYP.	MAX.	UNIT
Forward Voltage	Red	$I_F = 20\text{mA}$	—	2.15	2.8	V
	Green		—	2.05	2.8	
Reverse Current	I_R	$V_R = 4\text{V}$	—	—	100	μA
Luminous Intensity	Red	$I_F = 20\text{mA}$	2	10	—	mcd
	Green		2	7	—	
Peak Wavelength	Red	$I_F = 20\text{mA}$	—	635	—	nm
	Green		—	565	—	
Spectral Line Half Width	Red	$I_F = 20\text{mA}$	—	40	—	nm
	Green		—	25	—	

TLSG116 Graphs -

High Performance
Ultra Bright LEDs

