

Ordering Information

QF1

Insert

QF1 - 50 P - 2.54 RB

Series No. _____

No. of pin _____

Type of pin _____

P: Pin contact

S: Socket contact

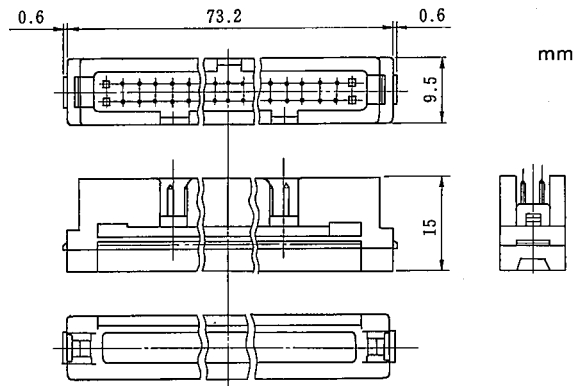
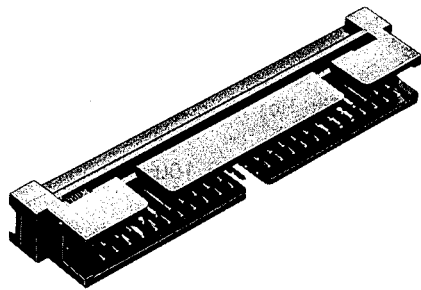
Contact spacing _____

2.54 mm

Type of termination _____

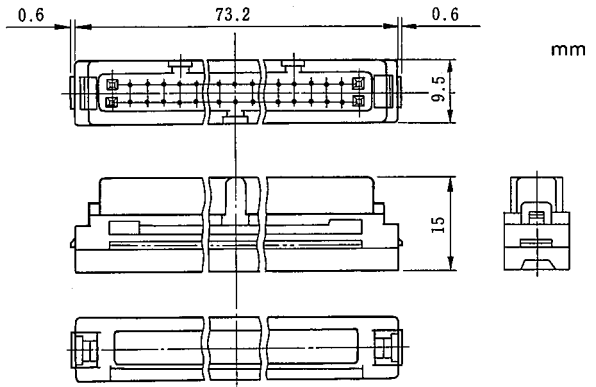
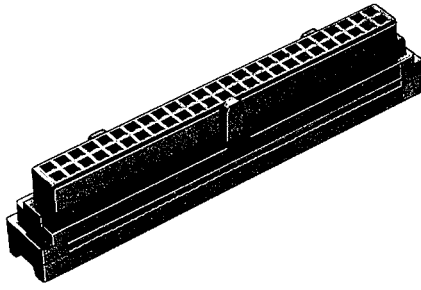
RB: IDC termination

Pin Insert



No. of pin	Part No.
50	QF1-50P-2.54RB

Socket Insert



No. of pin	Part No.
50	QF1-50S-2.54RB