

QF1

Ordering Information

• Accessory

QF1 - 50 SR1

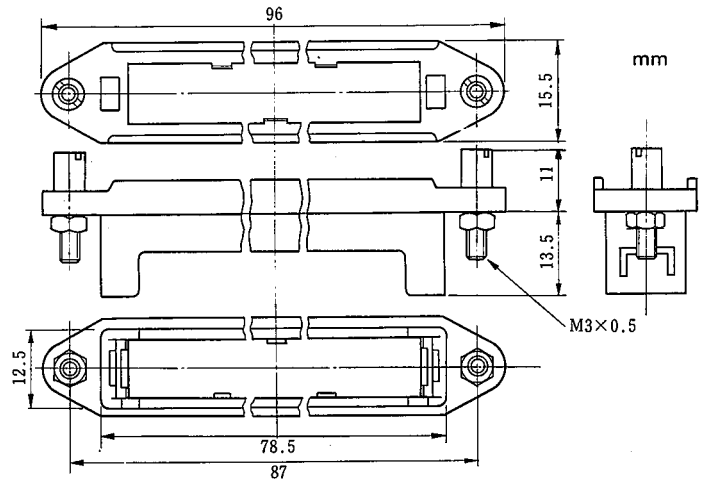
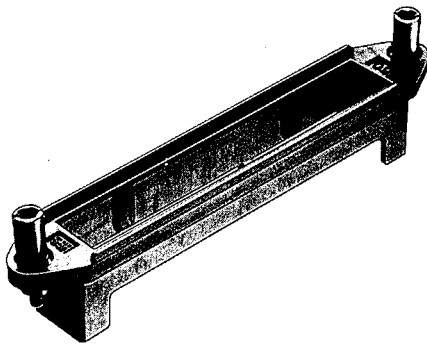
Series No. _____

No. of pin _____

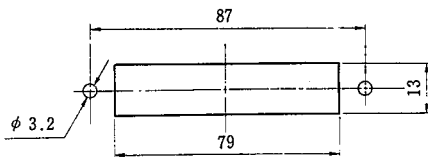
Type of accessory _____

SR1: Strain relief
BR1: Bracket
CV1: Plug shell

Bracket

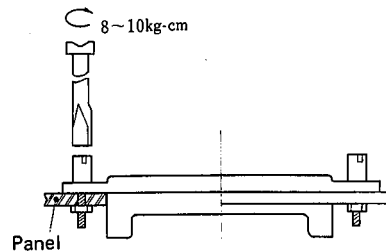


Mounting Hole



Mounting

No. of pin	Part No.
50	QF1-50BR1



1. Bracket shall be mounted on chassis with attached lock screw and nut.
2. Refer to above sketch regarding mounting hole size on chassis and how to mount bracket.
3. If the chassis is thicker than 3.5 mm, tap internal threads (M3x0.5) in chassis.
4. Be cautious to the mounting direction due to polarizing key way.

5. Once either pin insert or socket insert is installed in a bracket, it is not preferable to remove it. If it is expected to remove the insert frequently due to circuit change, or some maintenance requirement, please choose extractable connector at the other end of the cable.